



SOCIAL SWING
FURNITURE SET WITH SUSPENDED SEATS

CEILING

Wooden construction placed on a steel rack covered with foam and upholstered with fabric. Finished with steel cover painted black (RAL 9005 str.)

CONSTRUCTION

Steel construction filled with HDF plate, covered with foam and upholstered with fabric.

FLOOR

Wooden construction placed on a steel rack covered with foam and upholstered with fabric. Finished with steel cover painted black (RAL 9005 str.) and with artificial grass.



Maximum load of one seat:

150 kg

SLINGS

Metal slings powder painted according to Bejot sampler.

BENCH

Two-person bench based on a box construction covered with foam and upholstered with fabric. Possibility of upholstery with two colors of the same fabric.

BLOCKADE

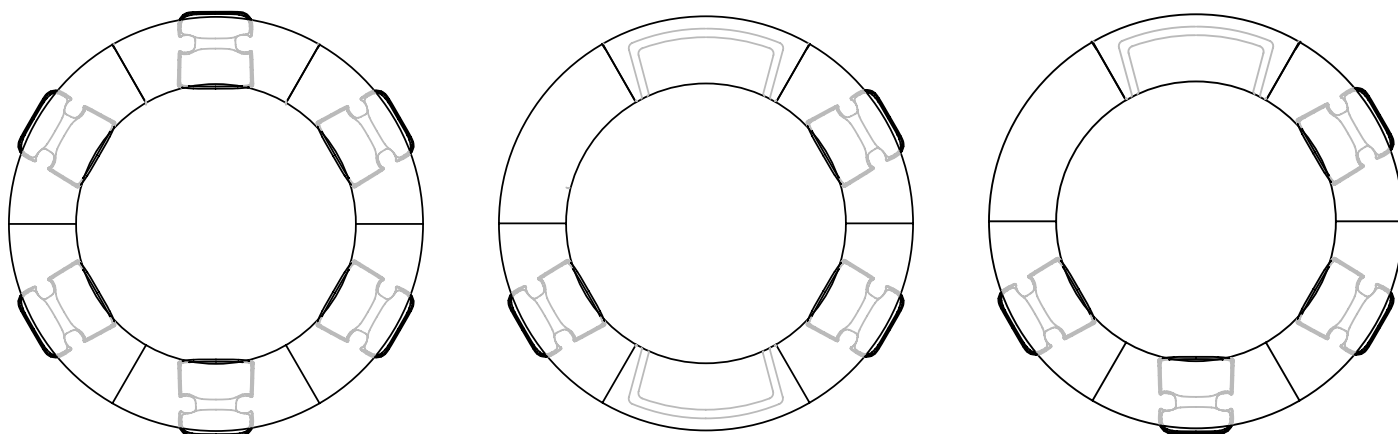
Nylon belt limiting tilt of the seat.

SUSPENDED SEAT

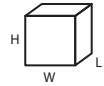
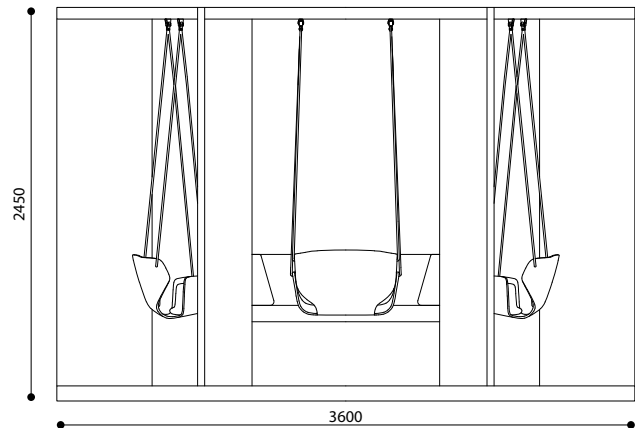
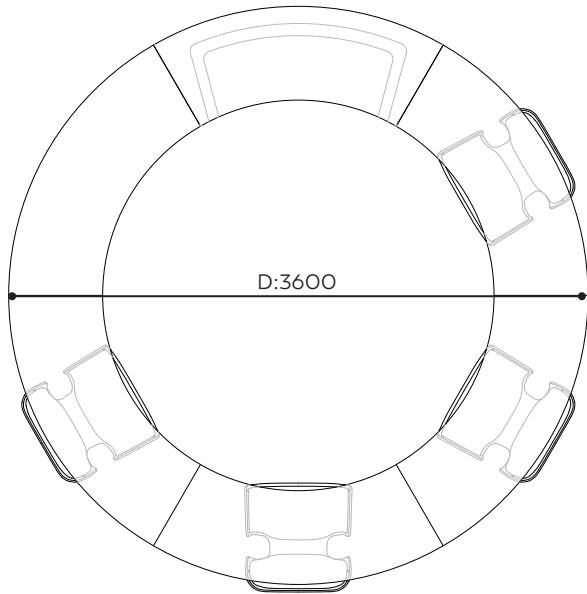
Seat made with plywood, colored according to the Bejot sampler. Overlay on the seat and the backrest made with foam, upholstered with fabric or leather. Maximum load of one seat: 150kg.

Configure your own set - choose the quantity of seats and benches.

Configuration examples:



SOCIAL SWING | TECHNICAL DATA



2x paleta/Palette/palette

H: 1000

W: 800

L: 2400

1x paleta/Palette/palette

H: 1000

W: 1000

L: 1800

